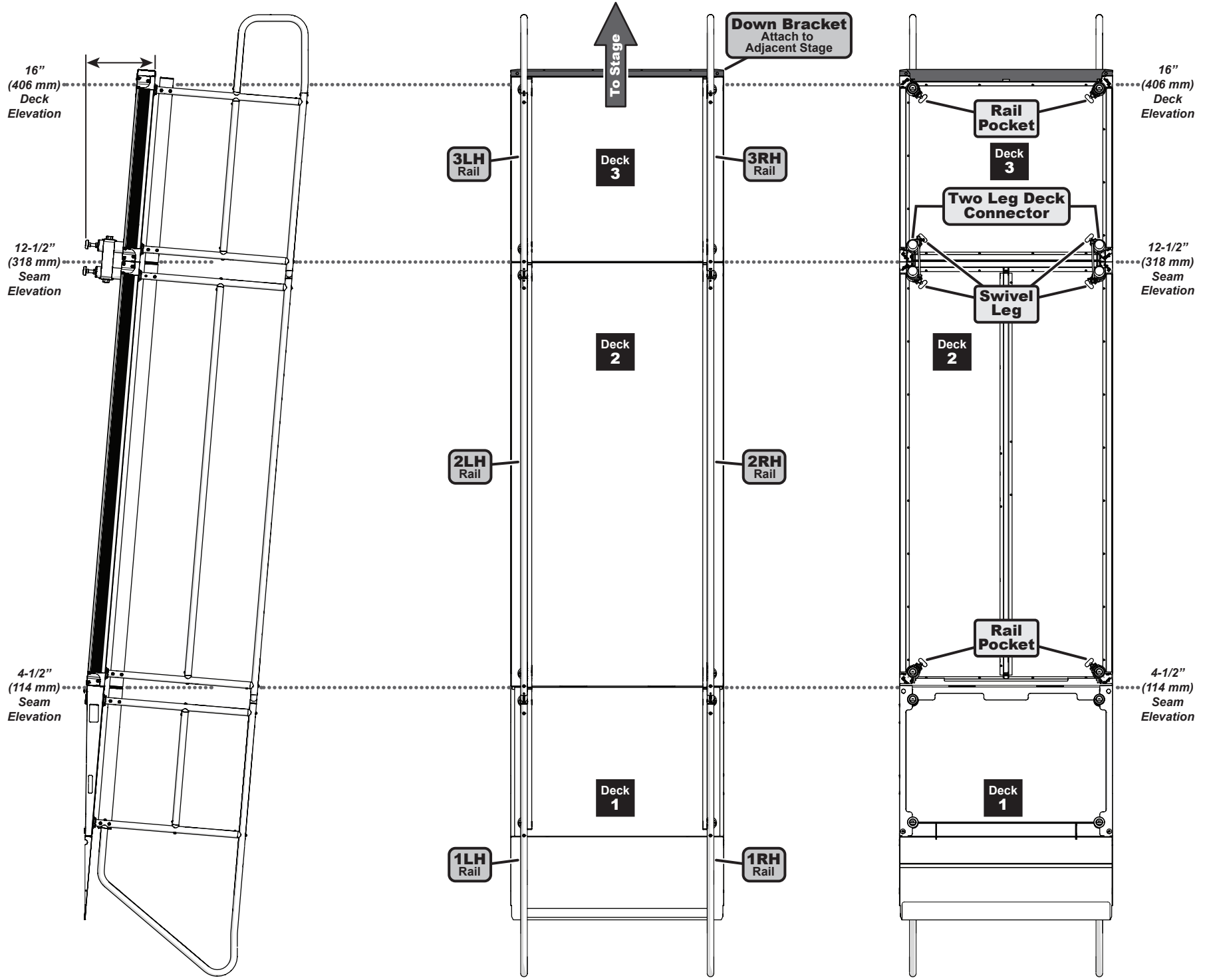
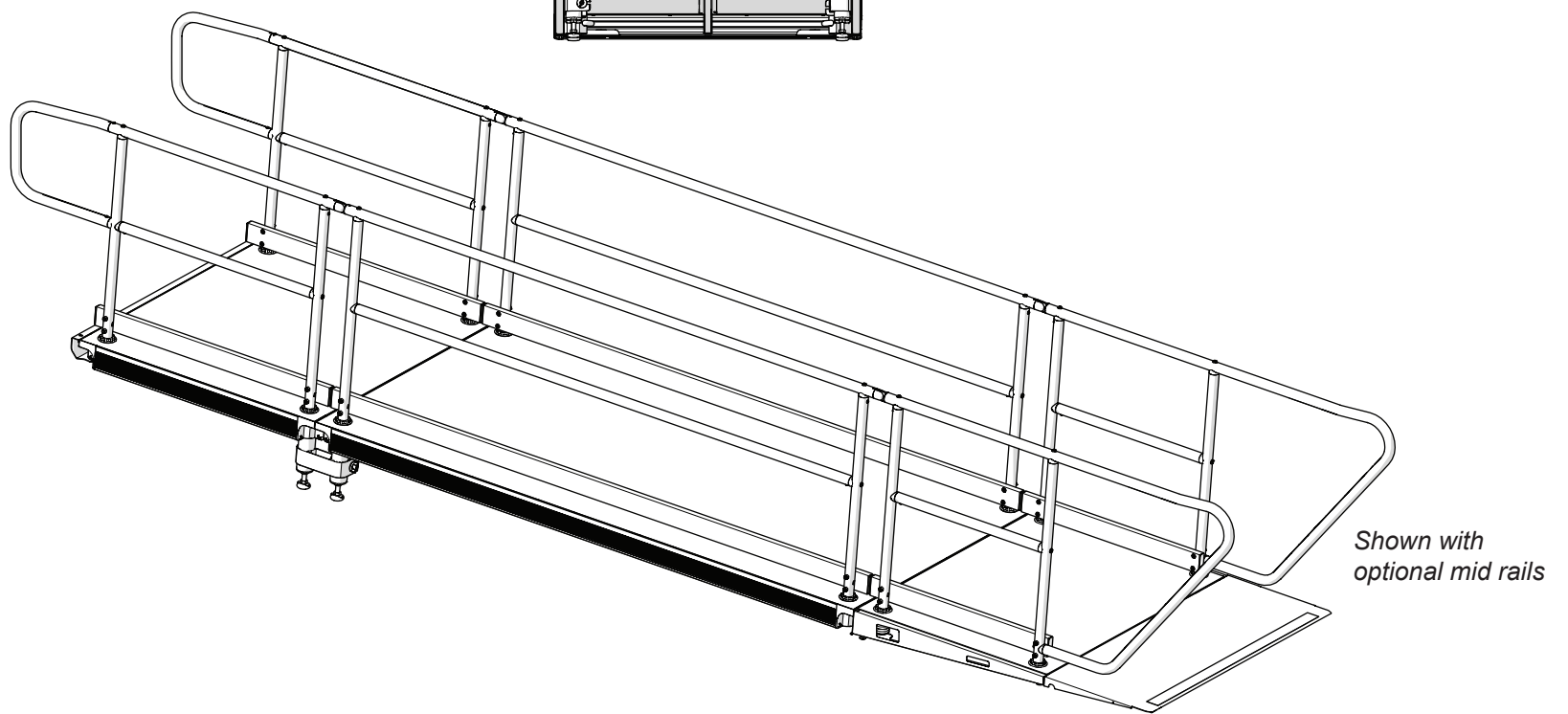
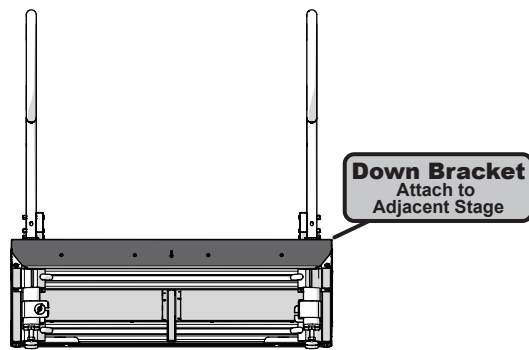


# ADA Ramp - Deck and Leg Set Up Guide for 282A011 - 16" (406 mm) Elevation Ramp with no Switchback or Landing



**This guide shows assembled component placement only, see the assembly instructions for assembly procedures.**

*Leg heights may need to be adjusted to accommodate elevation changes and differences.*

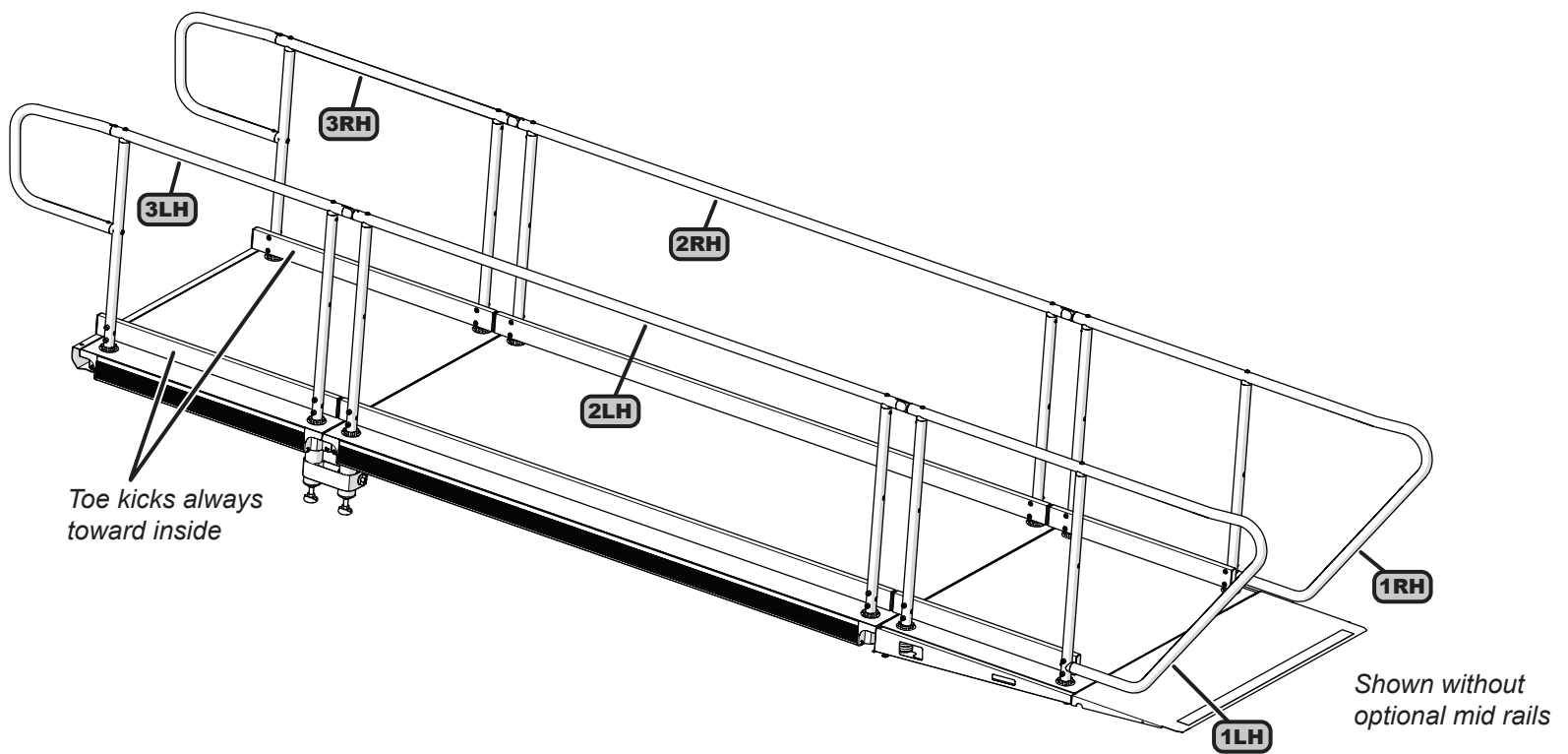
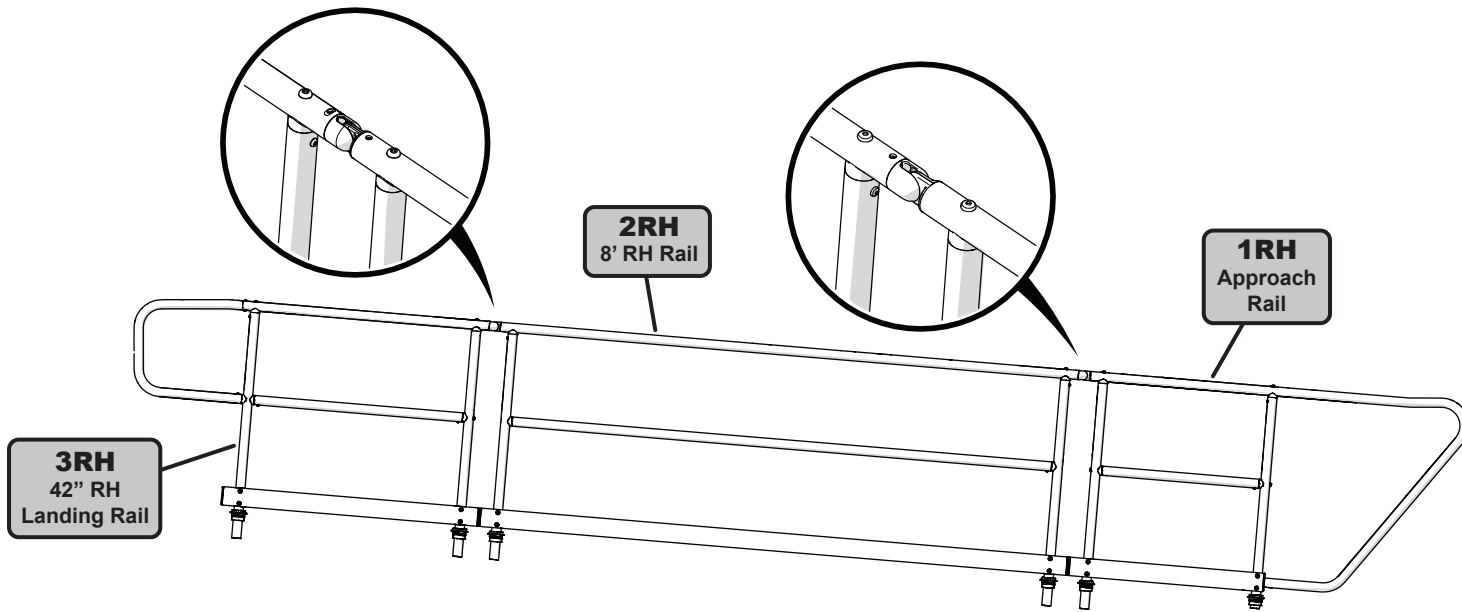
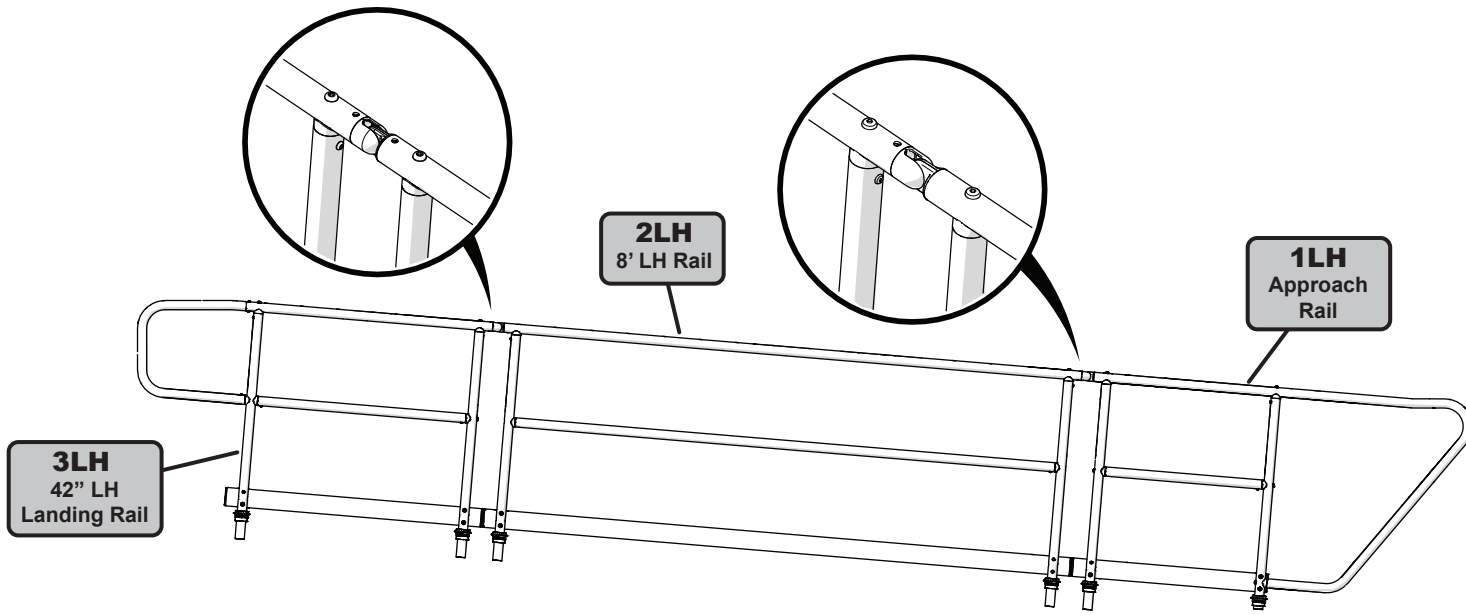


**Wenger Corporation**  
555 Park Drive, PO Box 448  
Owatonna, MN 55060  
(800) 4WENGER (493-6437) | +1-507-455-4100  
wengercorp.com



**ADA Ramp - Rail Set Up Guide**  
 for 282A011 - 16" (406 mm) Elevation Ramp  
 with no Switchback or Landing

*This guide shows assembled component placement only, see the assembly instructions for assembly procedures.*



Wenger Corporation  
 555 Park Drive, PO Box 448  
 Owatonna, MN 55060  
 (800) 4WENGER (493-6437) | +1-507-455-4100  
 wengercorp.com

